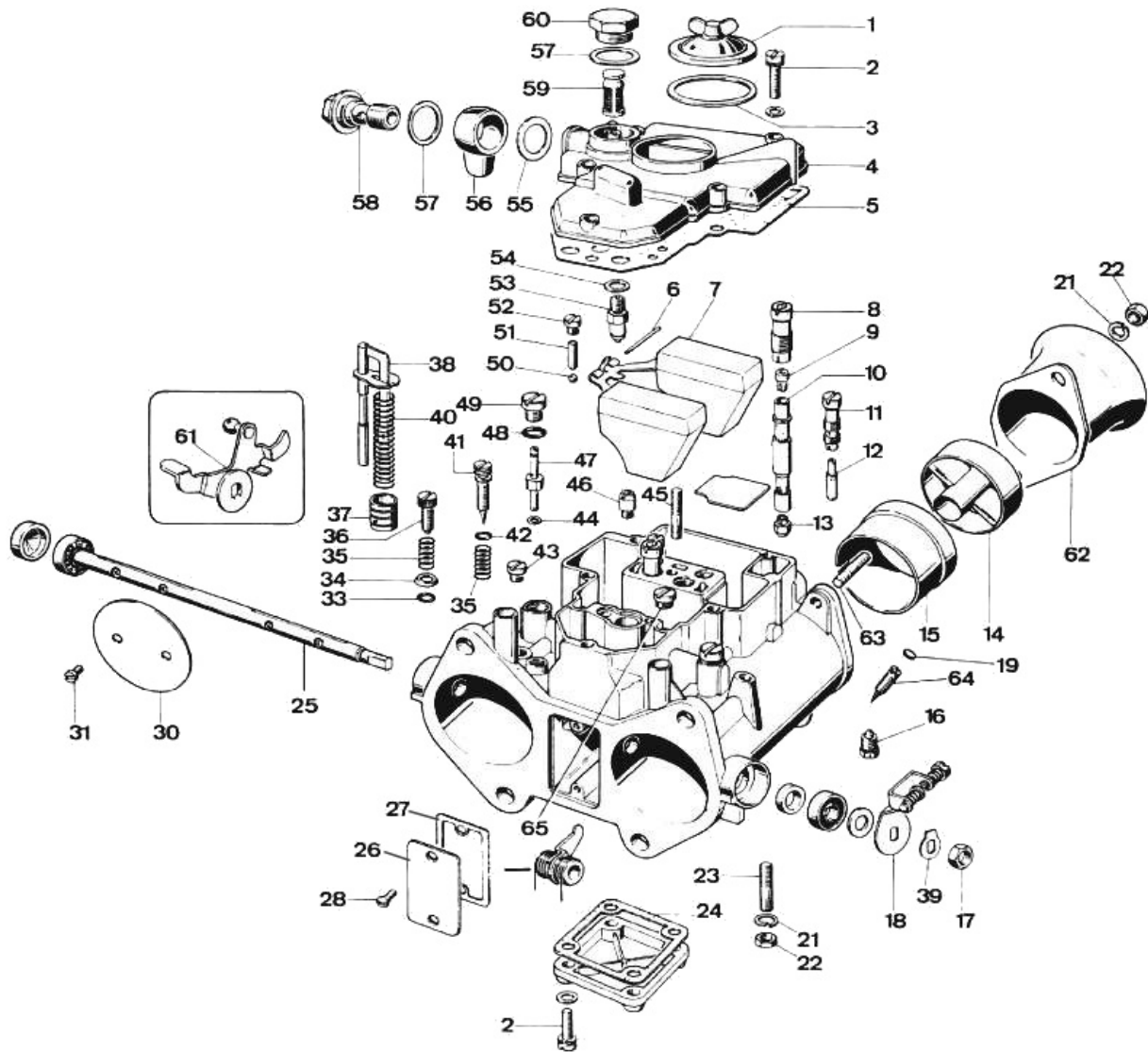




# WEBER 50 DCO

*Exploded view*



<https://www.carbparts.eu>

Preise und Produktverfügbarkeit können sich ändern



# WEBER 50 DCO

## Liste der Teile



No	Teil Nr.	Preis	Stück	Beschreibung
	92.1514.05	-	1	Repair Kit
	92.0362.05	-	1	Gasket Kit
1	32376.003	\$ 12	1	Jet Inspection Cover
2	64700.001	-	9	Screw
3	41550.009	-	1	Jet Inspection Cover Gasket
4	31734.193	-	1	Carburetor Cover-50 DCO SP
4	31734.194	-	1	Carburetor Cover-50 DCO 1/SP
5	41715.011	\$ 2.6	1	Carburetor Cover Gasket
6	52000.001	\$ 2.5	1	Float Pin
7	41030.034	\$ 15.2	1	Float
8	52580.001	\$ 7.3	2	Emulsion Tube Holder
9	77401.160	\$ 5	2	Air Corrector Jet
10	61450.091	\$ 10.6	2	Emulsion Tube
11	52585.006	\$ 8.6	2	Idle Jet Holder
12	74821.065	\$ 5.3	2	Idle Jet
13	73401.180	\$ 4.2	2	Main Jet
14	68820.500	\$ 62.9	2	Auxiliary Venturi
15	72136.460	\$ 18.5	2	Venturi (Choke Tube)
16	64840.003	\$ 5.3	4	Screw
17	34715.017	\$ 1.1	1	Throttle Spindle Nut
18	45041.270	\$ 53.9	1	Throttle Lever
19	61030.008	-	2	Air By-Pass Screw Cover
21	55525.010	-	5	Spring Washer
22	34705.004	-	5	Support Bracket Fixing Nut
23	64955.104	-	1	Support Bracket Stud
24	41640.066	\$ 2.7	1	Bottom Cover Gasket
25	10020.240	-	1	Throttle Shaft
26	52135.025	-	1	Inspection cover
27	41640.065	-	1	Inspection Cover Gasket
28	64570.009	-	2	Inspection Cover Fixing Screw
30	64005.135	\$ 38.2	2	Throttle Plate
31	64520.027	-	4	Throttle Plate Fixing Screw
33	41565.002	-	1	Throttle Stop Screw O Ring

No	Teil Nr.	Preis	Stück	Beschreibung
34	58000.006	\$ 2.1	1	Throttle Stop Screw O Ring Cap
35	47600.007	\$ 2.4	3	Mixture Screw Spring
36	64625.015	\$ 6.1	1	Throttle Stop Screw
37	58602.003	\$ 9.9	1	Pump Plunger
38	10410.015	\$ 9.2	1	Pump Rod
39	55520.004	\$ 1.1	1	Throttle Shaft Lock Washer
40	47600.068	\$ 7.3	1	Pump rod Spring
41	64750.058	\$ 7.9	2	Mixture Screw
42	41565.015	-	2	Mixture Screw O Ring
43	61015.009	\$ 7.9	2	Vacuum Take-Off cover
44	41535.021	\$ 1.3	2	Pump Jet Gasket
45	64955.007	\$ 12.7	1	Stud
46	79701.100	\$ 17.2	1	Pump Exhaust Valve
47	76801.045	\$ 7.4	2	Pump Jet
48	41565.009	-	2	Pump Jet Cover O ring
49	61015.008	\$ 11.9	2	Pump Jet Cover
50	58300.003	-	2	Pump Demand Valve Ball
51	52730.001	\$ 5.2	2	Pump Demand Valve Weight
52	61015.006	\$ 5.2	2	Pump Demand Valve Cover
53	79503.250	\$ 12.5	1	Needle Valve
54	83102.100	-	1	Needle Valve Gasket
55	41530.031	-	1	Fuel Union Gasket
56	10354.019	\$ 25.2	1	Fuel Union
57	41530.024	-	2	Fuel Union and Filter Cover Gasket
58	12715.008	\$ 9	1	Fuel Union Bolt
59	37002.002	-	1	Fuel Filter
60	61002.010	\$ 6.9	1	Fuel Filter Cover
61	45041.269	\$ 43.6	1	Throttle Lever
62	64955.101	\$ 19.8	4	Stud
63	52845.015	-	2	Air Horn
64	64595.012	-	2	Air By-Pass Screw
65	64590.008	\$ 9.2	2	Progression Hole Inspection Cover

<https://www.carbparts.eu>

Preise und Produktverfügbarkeit können sich ändern