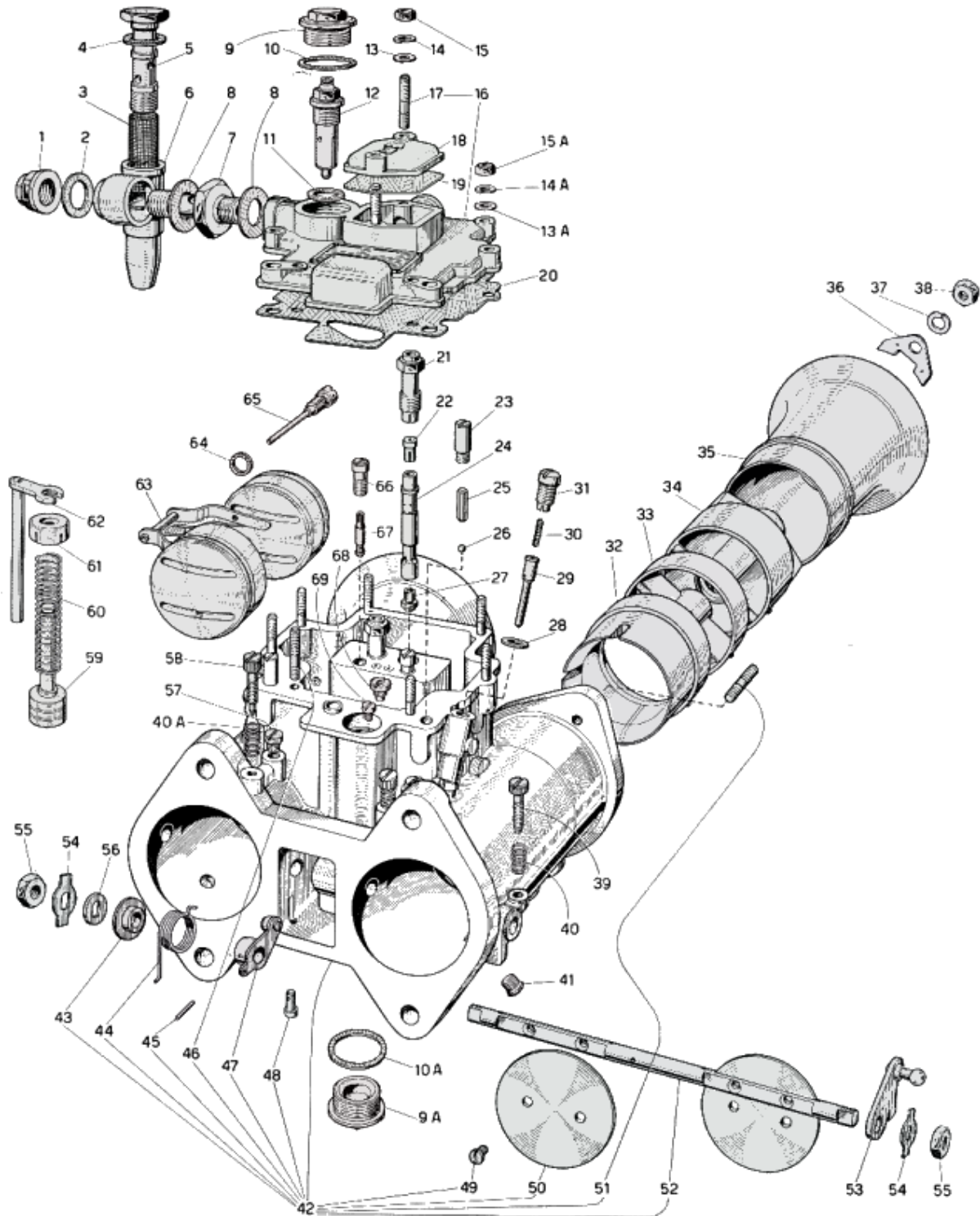




# WEBER 58 DCO 3

## Exploded view



<https://www.carbparts.eu>

Preise und Produktverfügbarkeit können sich ändern



# WEBER 58 DCO 3

## Liste der Teile



No	Teil Nr.	Preis	Stück	Beschreibung
1	TS 598	-	1	Box nut for fuel filter casing
2	236	-	1	Gasket for fuel filter casing
3	TS 600	-	1	Strainer
4	TS 610	-	1	Gasket for tap
5	TS 609	-	1	Strainer plug
6	F 54	-	1	Fuel filter casing
7	TS 597	-	1	Connection for fuel filter casing
8	235	-	2	Gasket for connection
9A	TS 715	-	1	Float bowl exhaust screw plug
9	TS 715	-	1	Needle valve seat inspection tap
10	G 97	-	1	Gasket for needle valve seat inspection tap
10A	G 97	-	1	Gasket for bowl exhaust screw plug
11	233	-	1	Gasket for needle valve seat
12	TS 1407a/m	-	1	Needle valve seat
13	1356	-	2	Vasher for carburetor small lid fixing nut
13A	1356	-	7	Washer for carburetor cover fixing nut
14A	41	-	7	Spring washer for carburetor cover fixing nut
14	41	-	2	Spring washer for carburetor small lid fixing nut
15A	51	-	7	Carburetor cover fixing nut
15	51	-	2	Carburetor small lid fixing nut
16	TS 922a	-	1	Carburetor cover, including:
17	1366	-	2	— Stud bolt securing small lid
18	TS 923	-	1	Small lid for jets inspection
19	TS 927	-	1	Gasket for small lid
20	TS 928	-	1	Gasket for carburetor cover
21	TS 670	\$ 12.3	2	Emulsioneing tube holder
22	969	\$ 2.8	2	Emulsion tube air corrector jet
23	TS 1032	-	2	Screw for stuffing ball
24	TS 671	-	2	Emulsioneing tube
25	TS 1033	-	2	Stuffing ball for high speed valve
26	756	-	2	Ball for high speed valve
27	TS 195	\$ 2.8	2	Main jet
28	TS 724	-	2	Gasket for pump jet
29	TS 251	-	2	Pump jet
30	817	-	2	Spring for pump jet
31	TS 723	-	2	Pump jet holder
32	TS 1418a	-	2	Choke
33	TS 1146a	-	2	Auxiliary venturi

No	Teil Nr.	Preis	Stück	Beschreibung
34	TS 1149a	-	2	Auxiliary venturi extension pipe
35	TS 1142a	-	2	Additional air horn
36	TS 930	-	4	Plate securing air horn
37	N 74	-	4	Spring washer for carburetor airhornfixing nut
38	A 458	-	4	Nut securing air horn
39	970	-	1	Idling adjusting screw
40	38	-	1	Spring for idling adjusting screw
40A	38	-	2	Spring for idle mixture adjusting screw
41	TS 240	-	2	Tapping screw for inspection holes
42	—	-	1	Carburetor body (not supplied) including:
43	TS 1178	-	1	— Washer for spring
44	TS 1176	-	1	— Throttle return spring
45	1349	-	1	— Spring pin
46	A 333	-	7	— Stud bolt securing carburetor cover
47	TS 945a	-	1	— Pump control lever
48	TS 1177	-	1	— Spring retainer
49	767	-	4	— Throttles fixing screw
50	TS 1141	-	2	— Throttle valve
51	TS 1031	-	4	— Stud bolt securing air horn
52	TS 1420	-	1	— Throttles shaft
53	LP 187a	-	1	Throttles control lever
54	2464	\$ 1.6	2	Lock washer with double tab
55	865	-	2	Fixing nut
56	6	-	1	Distance v/asher
57	TS 625	-	2	Transition holes inspection screw
58	864	-	2	Idle mixture adjusting screw
59	TS 831	-	1	Pump piston
60	TS 505	-	1	Pump piston spring
61	TS 504	-	1	Retainer for pump piston spring
62	TS 1152a	-	1	Pump control shaft
63	TS 752a	-	1	Float
64	1937	-	1	Gasket for float fulcrum scre
65	TS 744a	-	1	Float fulcrum screw
66	TS 864	-	2	Idling jet holder
67	TS 865	-	2	Idling jet
68	937a	-	1	Pump intake valve
69	TS 510	-	1	Pump discharge screw

<https://www.carbparts.eu>

Preise und Produktverfügbarkeit können sich ändern