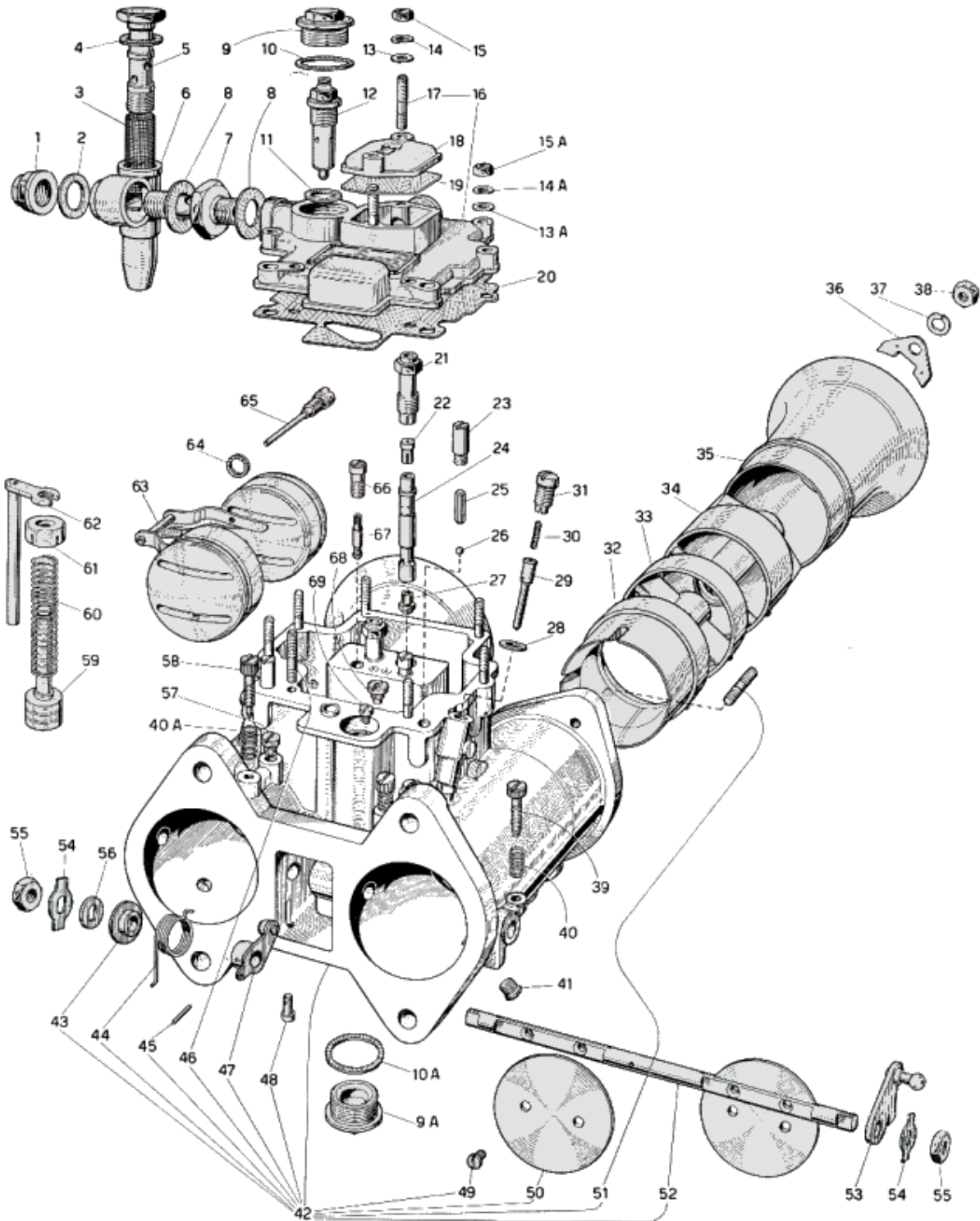




# WEBER 58 DCO 3

*Exploded view*



<https://www.carbparts.eu>

Prices and product availability are subject to change



# WEBER 58 DCO 3

## List of parts



No	Part No	Price	Pcs	Description
1	TS 598	\$ 0	1	Box nut for fuel filter casing
2	236	\$ 0	1	Gasket for fuel filter casing
3	TS 600	\$ 0	1	Strainer
4	TS 610	\$ 0	1	Gasket for tap
5	TS 609	\$ 0	1	Strainer plug
6	F 54	\$ 0	1	Fuel filter casing
7	TS 597	\$ 0	1	Connection for fuel filter casing
8	235	\$ 0	2	Gasket for connection
9	TS 715	\$ 0	1	Needle valve seat inspection tap
9A	TS 715	\$ 0	1	Float bowl exhaust screw plug
10	G 97	\$ 0	1	Gasket for needle valve seat inspection tap
10A	G 97	\$ 0	1	Gasket for bowl exhaust screw plug
11	233	\$ 0	1	Gasket for needle valve seat
12	TS 1407a/m	\$ 0	1	Needle valve seat
13	1356	\$ 0	2	Washer for carburetor small lid fixing nut
13A	1356	\$ 0	7	Washer for carburetor cover fixing nut
14A	41	\$ 0	7	Spring washer for carburetor cover fixing nut
14	41	\$ 0	2	Spring washer for carburetor small lid fixing nut
15A	51	\$ 0	7	Carburetor cover fixing nut
15	51	\$ 0	2	Carburetor small lid fixing nut
16	TS 922a	\$ 0	1	Carburetor cover, including:
17	1366	\$ 0	2	— Stud bolt securing small lid
18	TS 923	\$ 0	1	Small lid for jets inspection
19	TS 927	\$ 0	1	Gasket for small lid
20	TS 928	\$ 0	1	Gasket for carburetor cover
21	TS 670	\$ 0	2	Emulsifying tube holder
22	969	\$ 0	2	Emulsion tube air corrector jet
23	TS 1032	\$ 0	2	Screw for stuffing ball
24	TS 671	\$ 0	2	Emulsifying tube
25	TS 1033	\$ 0	2	Stuffing ball for high speed valve
26	756	\$ 0	2	Ball for high speed valve
27	TS 195	\$ 0	2	Main jet
28	TS 724	\$ 0	2	Gasket for pump jet
29	TS 251	\$ 0	2	Pump jet
30	817	\$ 0	2	Spring for pump jet
31	TS 723	\$ 0	2	Pump jet holder
32	TS 1418a	\$ 0	2	Choke
33	TS 1146a	\$ 0	2	Auxiliary venturi

No	Part No	Price	Pcs	Description
34	TS 1149a	\$ 0	2	Auxiliary venturi extension pipe
35	TS 1142a	\$ 0	2	Additional air horn
36	TS 930	\$ 0	4	Plate securing air horn
37	N 74	\$ 0	4	Spring washer for carburetor airhornfixing nut
38	A 458	\$ 0	4	Nut securing air horn
39	970	\$ 0	1	Idling adjusting screw
40	38	\$ 0	1	Spring for idling adjusting screw
40A	38	\$ 0	2	Spring for idle mixture adjusting screw
41	TS 240	\$ 0	2	Tapping screw for inspection holes
42	—	\$ 0	1	Carburetor body (not supplied) including:
43	TS 1178	\$ 0	1	— Washer for spring
44	TS 1176	\$ 0	1	— Throttle return spring
45	1349	\$ 0	1	— Spring pin
46	A 333	\$ 0	7	— Stud bolt securing carburetor cover
47	TS 945a	\$ 0	1	— Pump control lever
48	TS 1177	\$ 0	1	— Spring retainer
49	767	\$ 0	4	— Throttles fixing screw
50	TS 1141	\$ 0	2	— Throttle valve
51	TS 1031	\$ 0	4	— Stud bolt securing air horn
52	TS 1420	\$ 0	1	— Throttles shaft
53	LP 187a	\$ 0	1	Throttles control lever
54	2464	\$ 1.7	2	Lock washer with double tab
55	865	\$ 0	2	Fixing nut
56	6	\$ 0	1	Distance v/washer
57	TS 625	\$ 0	2	Transition holes inspection screw
58	864	\$ 0	2	Idle mixture adjusting screw
59	TS 831	\$ 0	1	Pump piston
60	TS 505	\$ 0	1	Pump piston spring
61	TS 504	\$ 0	1	Retainer for pump piston spring
62	TS 1152a	\$ 0	1	Pump control shaft
63	TS 752a	\$ 0	1	Float
64	1937	\$ 0	1	Gasket for float fulcrum screw
65	TS 744a	\$ 0	1	Float fulcrum screw
66	TS 864	\$ 0	2	Idling jet holder
67	TS 865	\$ 0	2	Idling jet
68	937a	\$ 0	1	Pump intake valve
69	TS 510	\$ 0	1	Pump discharge screw

<https://www.carbparts.eu>

Prices and product availability are subject to change